

This innovative nozzle for gasless welding can be fitted directly onto a standard 250A MIG torch. Consisting of a ceramic shroud screwed onto an insulating ring, it effectively protects the torch body, support, and contact tip from spatter and intense heat. In contrast to the conventional approach of removing the original nozzle, this solution extends the service life of consumables and preserves the longevity of the torch. The change is completely reversible, meaning it is quick and easy to switch back to gas welding configuration.

100% CERAMIC NOZZLE

- Minimises wear and tear of torch consumables, reducing the risk of cracking or clogging at the tip..
- Helps prolong torch performance, even during demanding applications, while minimising maintenance costs.
- The torch is protected, and can be refitted for gas applications as required.

COMPATIBILITY

Specific V-grooved knurled rollers.

TYPE A	SYNERGIES NO GAZ	TYPE B	SYNERGIES NO GAZ
Multipearl 210-2	✓	Multipearl 210-4XL	✓
Multiweld 200M *		Multipearl 211-4	✓
Multiweld FV 220M *		Kronos 250M	✓
Multiweld FV 220M-C *		Kronos 250T	✓
Multiweld 250T *		Galaxy 250M C	✓
Multiweld 250T-C *		Galaxy 250M	✓
		Neopulse 220 C	
		Neopulse 220 C XL	

* 2 rollers type A necessary (042346)

GASLESS FLUX-CORED WIRE (OPTIONAL)

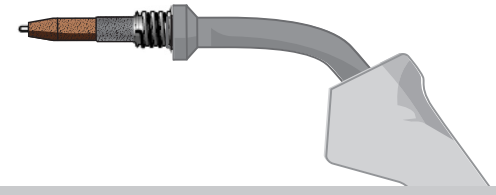
Norms : **AWS** 5.20 : E71T-GS ; **EN** ISO 17632-A T42 Z W N 1 H15

100 mm 0.9 kg	Ø 0.6 mm Ø 0.9 mm	086425 086104
200 mm 4.5 kg	Ø 0.9 mm Ø 1.0 mm Ø 1.2 mm	086265 086623 086630
300 mm 15 kg	Ø 1.0 mm Ø 1.2 mm	086388 086395



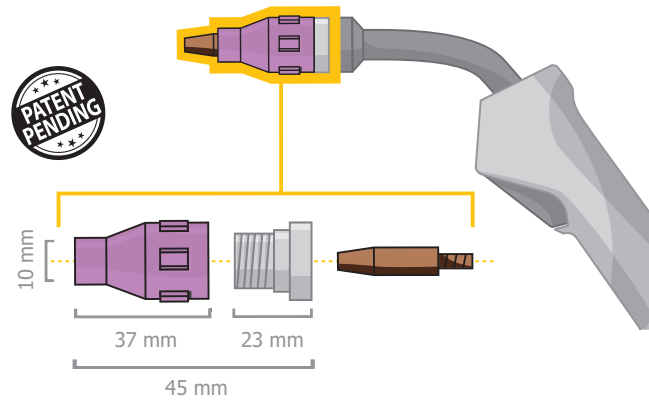
Classic Assembly

- Accumulation of spatter/burrs
- Overheating and deterioration at the end of the gooseneck.



Assembly of the GLASLESS KIT

- Allows for easy reversion to a gas-shielded configuration.



(072336)



(072343)



(072329)

CONTENTS



type A
(072336)



- Ring (x1)
- Ceramic shroud (x3)
- M6 contact tip - (x3)
- Type A roller
Ø 0.9-1.0 / 1.2 (x1)
Ø 30 mm



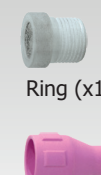
type B
(072343)



- Ring (x1)
- Ceramic shroud (x3)
- M6 contact tip - (x3)
- Type B roller
Ø 0.9-1.0 / 1.2 (x2)
Ø 37 mm



Kit
(072329)



- Ring (x1)
- Ceramic shroud (x3)