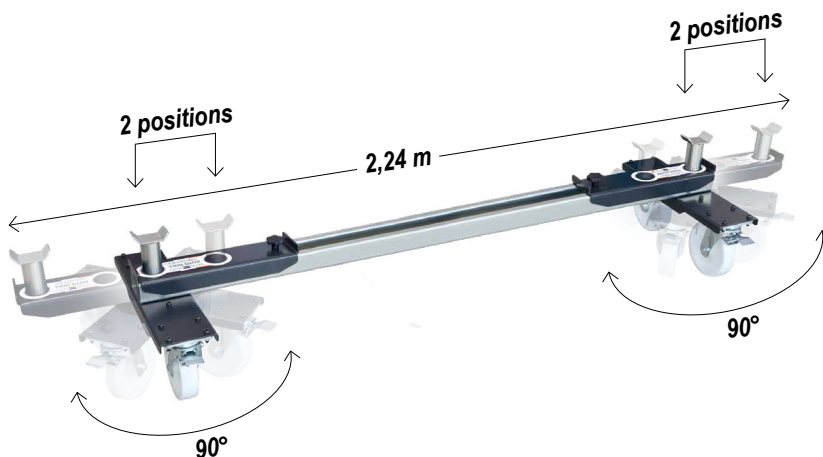


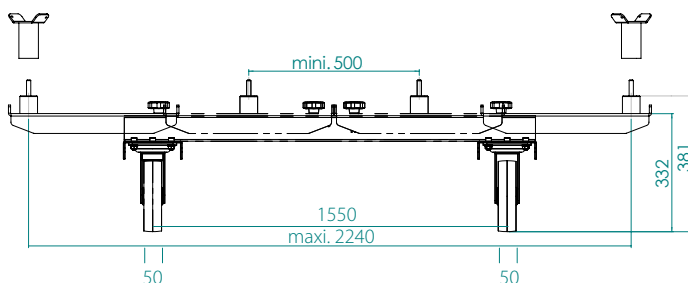
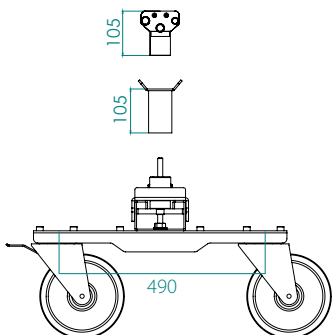
Designed to aid the manoeuvrability of vehicles in both Mechanical and Accident Repair Centers with either mechanics in or out. The adjustable arms are designed to fit all types of vehicles.

FEATURES

- **Mobile and secure :**
 - 90° rotation of wheel supports
 - Easy positioning
 - 2 wheels fitted with brakes
- **Adjustable and adaptable :**
 - Lifting rails adjustable to a maximum of 2.24m.
 - Stabilisation pads (included)
 - Lower frame clamps (optional)
- **Robust structure :**
 - Mechanically reinforced
 - Weight max : 1 200 kg



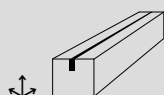
DIMENSIONS



DIFFERENT ACCESSORIES FOR DIFFERENT TYPES OF CAR BODIES :



***Recommendation :**
Using the frame clamps with AUTOROLL 1.55 m / 1.2 T is highly recommended when moving long vehicles over uneven ground.



1710 x 245 x 160 mm



62 kg



1200 kg max



360 °